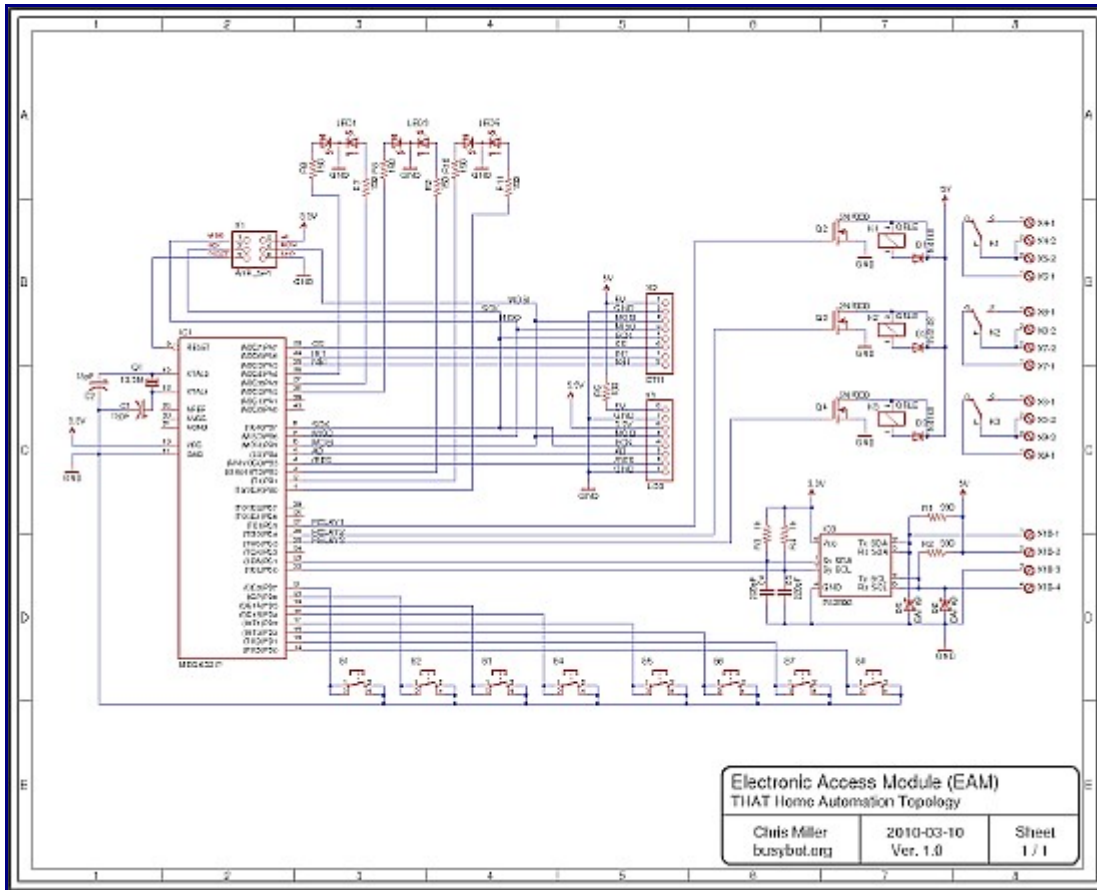


EAM v1.0 Schematic

2010-05-09 15:05:41 by Chris

The most recent version of the EAM prototype schematic is v1.0 and is shown below in Figure 1. This schematic was created in CadSoft's EAGLE.



Notes:

- IC1 is an Atmel AVR ATmega234P microcontroller.
- IC2 is the NXP P82B96 I2C Bus Extender.
- K1 through K3 are GL5E relays (10 A at 120 VAC, 8 A at 30 VDC).
- X1 is the 6-pin Atmel In-System Programming (ISP) header.
- X2 is the 8-pin Network Ethernet Controller (NIC) connector.
- X3 is the 8-pin LCD connector (XH top 8pos 2.5mm).